

LOW POWER CO₂ LASER

Model LASY-4G

SPECIFICATIONS *

Power: Minimum 200 mw for the strongest line

Wavelength range: 9.3 μm to 10.8 μm , at least 30 lines

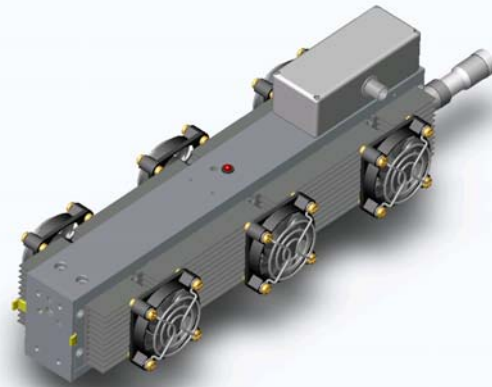
Power stability: better than $\pm 10\%$ for the strong lines

Mode: Low order, $M^2 < 1.2$, beam diameter 2.4 mm, full divergence angle 5.5 mrad

Size: 12.5" x 2.5" x 3"

Cooling requirement: forced air

Power source: RF driver powered 12 VDC, 4 amps. Both RF driver and DC adapter are included as part of the laser purchase.



Factory warranty: parts and labor due to manufacturing quality within one year.

Options available:

- External high speed modulator (up to 200 kHz)
- Isotope CO₂ gas fills for wavelengths up to 11.2 μm
- Power stabilization to within $\pm 3\%$
- Water cooling(customer to supply cooling water)

* We strive to satisfy custom requirements. Please contact us if you have other special needs.

* Specifications subject to change without notice.

For more information, visit us at
www.accesslaserco.com

