

GRATING TUNED CO₂ LASER

SPECIFICATIONS*

Model	Merit-G (standard)	Merit-GP (Super pulsed)
Output Power	2 watt CW at the strongest line	6 watt peak at the strongest line (200 μs pulse at 1 kHz)
Number of lines	At least 50	At least 55
Power requirement	28 VDC, 7 amps	48 VDC, 4 amps

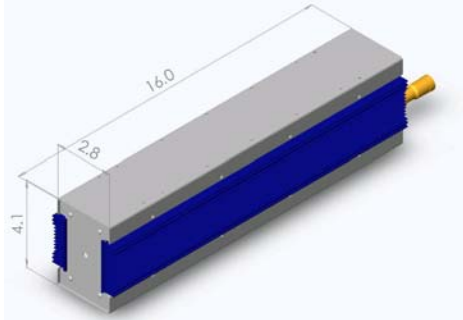
Range of wavelength: 9.2 μm to 10.8 μm.

Power stability: ±5% Typical for the strong lines

Laser mode: TEM₀₀, M² < 1.2; beam diameter at exit: 2.4 mm; beam divergence angle: 5.5 mrad

Dimensions: 16" x 4.1" x 2.8"

Cooling requirement: forced air



Factory warranty: One year for parts and labor due to manufacturing quality

Options available:

- Single fixed wavelength (factory preset)
- Power stabilization with closed loop control, ±3%
- Water cooling
- Cold plate cooling
- Isotope gas fill for different wavelength range

- * We strive to satisfy custom requirements. Please contact us if you have other special needs.
- * Specifications subject to change without notice.
- * Other tunable laser available at lower or higher power levels and different tuning ranges.

For more information, visit us at
www.accesslaserco.com

